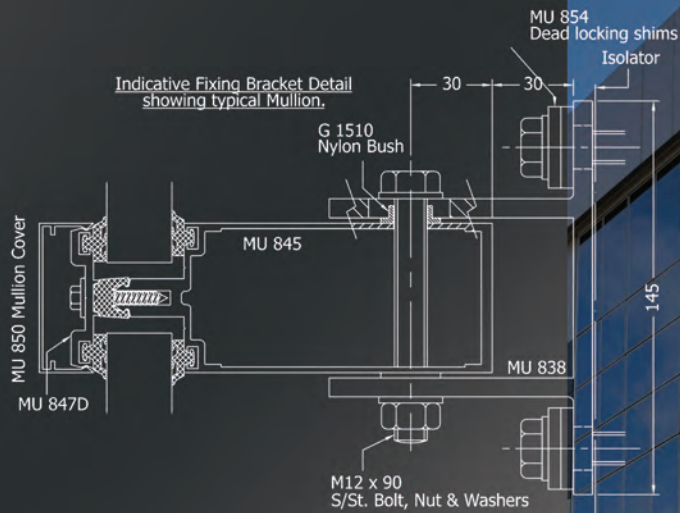


MU 4200 SYSTEM

A UNIQUE AND
EXCITING CURTAIN
WALLING SYSTEM
WITH A HOST
OF INNOVATIVE
FEATURES



UNIVERSAL
ALUMINIUM SYSTEMS

MU 4200 CURTAIN WALLING

THE MU4200 SYSTEM HAS BEEN SPECIFICALLY DEVELOPED TO OFFER A NEW EXCITING CONCEPT IN BUILDING DESIGN.

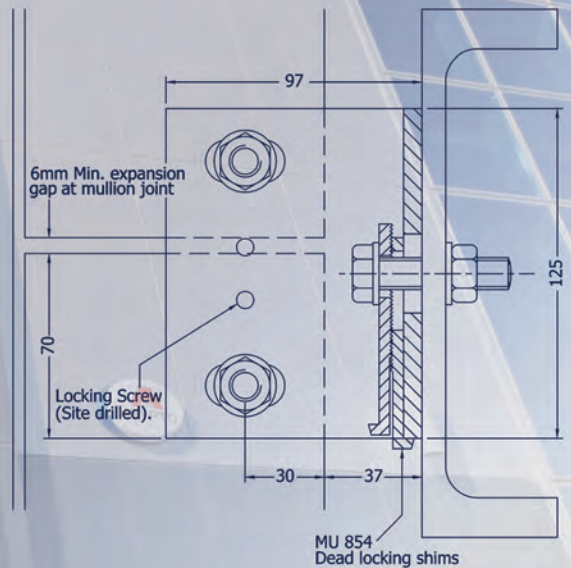
This unique curtain wall system from Universal introduces a host of innovative features that provide a perfect harmony between flush glazing, minimal framing and equal sightlines. They combine to produce a versatile contemporary design to the building façade.

The design technology of the MU4200 is enhanced by its total integration with Universal's MU800 suite, providing both architects and specifiers alike with a multitude of new opportunities to conceive a diverse and stimulating approach to construction design.

The MU4200 is further enriched by the provision of greater thermal and acoustic properties, affording improved unity between building and its environment.

MU 4200 FEATURES

- ▶ ENHANCED THERMAL & ACCOUSTIC PERFORMANCE
- ▶ QUALICOAT PPC TO MARINE ENVIRONMENT STANDARD
- ▶ MULTIPLE COLOUR OPTIONS
- ▶ FACETED DESIGN CHARACTERISTICS PROVIDING A CONTINUOUS 15mm SHADOW THROUGHOUT
- ▶ PARALLEL OR TOP-HUNG VENTS
- ▶ 55mm OR 70mm BOX MULLIONS PROVIDING A GREATER CHOICE OF DESIGN AND SPAN
- ▶ COMPLETELY ADAPTABLE FOR RAIN-SCREEN CLADDING OVER MASONRY
- ▶ GLAZING PANELS 'HUNG' WITHIN THE GRID ON CONCEALED MULLION BRACKETS, GREATLY REDUCING SITE INSTALLATION TIMES
- ▶ LOCATION OF FIXED AND OPENING VENTS CAN BE RETROSPECTIVELY ALTERED TO SUIT CHANGES WITHIN THE INTERNAL LAYOUT
- ▶ THE SYSTEM FEATURES MANY INTERFACE DESIGNS TO ACCOMODATE ALL CLADDING ARRANGEMENTS



Universal Customer Hotline
Call: 0117 955 9091



UNIVERSAL
ALUMINIUM SYSTEMS

Universal House, Pennywell Rd, Bristol BS5 0ER
Tel: +44 (0)117 955 9091
Fax: +44 (0)117 955 6091
sales@universal-aluminium.co.uk
www.universal-aluminium.co.uk